

30 A

500 V
U_{MAXI}

INDUSTRIAL PLUG PN



IP66
IP67



1-6 mm² (1)
1,5-10 mm² (2)



GRP
METAL



IK09



-40 °C
+60 °C

(1) Flexible wiring (min.-max.).
(2) Stranded wiring (min.-max.).



Other configurations
on request

GRP devices are not
compatible with metal
devices.



For a black colour
GRP housing replace
the second reference
character with 5.

Dual-voltage
socket-outlet
(see p. 11)



SOCKET-OUTLET

female
PN



INLET male
PN



20-24 V AC	2P	01N408A	01N808A
220-250 V AC	1P+N+E	01N4015	01N8015
380-440 V AC	3P+E	01N4013	01N8013
220-250 V AC 380-440 V AC	3P+N+E	01N4017	01N8017
480-500 V AC	3P+E	01N4093	01N8093
480-500 V AC	3P+N+E	01N4097	01N8097

► Other currents, voltages, frequencies and contact configurations are available (see page 14).



SOCKET-OUTLET

female
PN



INLET male
PN



20-24 V AC	2P	09N408A	09N808A
220-250 V AC	1P+N+E	09N4015	09N8015
380-440 V AC	3P+E	09N4013	09N8013
220-250 V AC 380-440 V AC	3P+N+E	09N4017	09N8017
480-500 V AC	3P+E	09N4093	09N8093
480-500 V AC	3P+N+E	09N4097	09N8097

► Other currents, voltages, frequencies and contact configurations are available (see page 14).

OPTIONS Reference

INDUSTRIAL/DOMESTIC ADAPTERS

Industrial inlet MARECHAL® 1P+N+E and domestic socket-outlet 10/16A 230 V fuse protection 10A and 16A (with integrated fuse). All these plug adapters are available to local standards: replace D11 by D40 for UK, D30 for Germany/Netherlands/Luxembourg, D06 for Italy.



01N8015D11

LOCKING FOR 1 PADLOCK Ø 4 mm (WITHOUT SHAFT)



Ref. + 843

SCREW LOCKING IMPRINT BTR 2,5



Ref. socket + 22

REVERSED INTERIOR AND CONTACTS



The connector is supplied with a rubber inlet cap.

Ref. conn. + 001
Ref. socket + 001

IP55 SOCKET-OUTLET SELF-CLOSING LID



Replace N by S
Ex: 400 V 3P+N+E
poly = 01S4017

INLET CAP



01NA426

180° OPENING LID



Ref. socket +10

SELF CLOSING/SELF RETURNING LID



Socket-outlet ref.+R

180° OPENING + SELF-RETURNING LID



Ref. socket +18

**ELECTROMAGNETIC COMPATIBILITY (EMC)
(SEE DETAIL PAGE 300)**



Ref. socket and metal connector +EMC

PRODUCTS AVAILABLE IN BLACK ●

The black dot means these products are also available in black color. Replace the second character of the product reference with 5

SLEEVE	$\angle x^\circ$	Ref.	EMC Option
POLY SLEEVE ●			
	30°	511M3	/
	70°	511M7	/
METAL SLEEVE			
	0° (Straight)	591M0	Ref. +EMC
	30°	591M3	Ref. +EMC
	45°	591M4	Ref. +EMC

BOXES $\angle x^\circ$ Input Ref. EMC Option

POLY BOX

	0° (Straight)	M20	511B0M20	/
	0° (Straight)	M25	511B0M25	/
	30°	M20	511B3M20 ●	/
	30°	M25	511B3M25 ●	/

METAL BOX (+ EARTHING WIRE)

	0° (Straight)	M20	591B0M20	Ref. +EMC
	0° (Straight)	M25	591B0M25	Ref. +EMC

POLY BOX + POLY SLEEVE

	70°	Without hole	511C7000	/
	70°	Hole Ø 20	511C7M20	/
Earth bar ref. : 51AA089	70°	Hole Ø 25	511C7M25	/
	70°	Hole Ø 32	511C7M32	/

METAL BOX (+ EARTHING WIRE) + POLY SLEEVE

	30°	M20	511C3M20	/
--	-----	-----	----------	---

METAL BOX (+ EARTHING WIRE) + METAL SLEEVE

	45°	M20	591C4M20	Ref. +EMC
	45°	M25	591C4M25	Ref. +EMC
	45°	M32	591C4M32	Ref. +EMC

Cable glands are not delivered with the boxes.

HANDLE Input/Cable outer Ø Ref. EMC Option

POLY HANDLE WITH GLAND ●

	9-18 mm	511P0D18	/
	5-21 mm	511P0D21	/
	60° 9-18 mm	511P6D18	/

POLY HANDLE + POLY CABLE GLAND ●

	5-12 mm	511P020P	/
	9-18 mm	511P025P	/
	14-25 mm	511P032P	/

METAL HANDLE WITH METAL GLAND (+ EARTHING WIRE)

	7-13 mm	591P020M	Ref. +EMC (7-12 mm)
	8-16 mm	591P025M	Ref. +EMC (9-16 mm)
	16-24 mm	591P032M	Ref. +EMC (11-21 mm)

POLY HANDLE (WITHOUT CABLE GLAND) ●

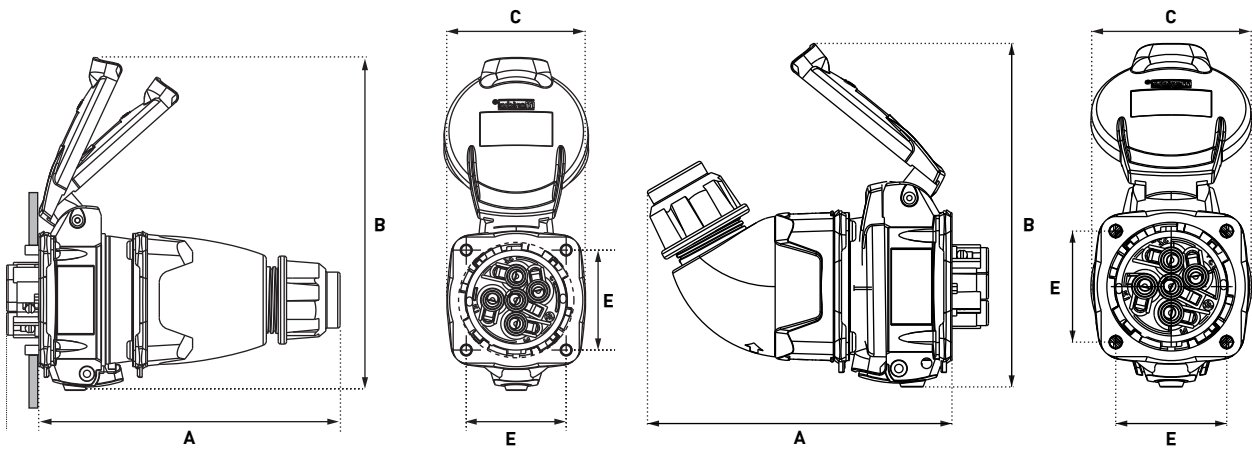
	M20	511P0M20	/
	M25	511P0M25	/
	M32	511P0M32	/

METAL HANDLE METRIC THREAD ENTRY (WITHOUT CABLE GLAND)

	M20	591P0M20	Ref. +EMC
	M25	591P0M25	Ref. +EMC
	M32	591P0M32	Ref. +EMC

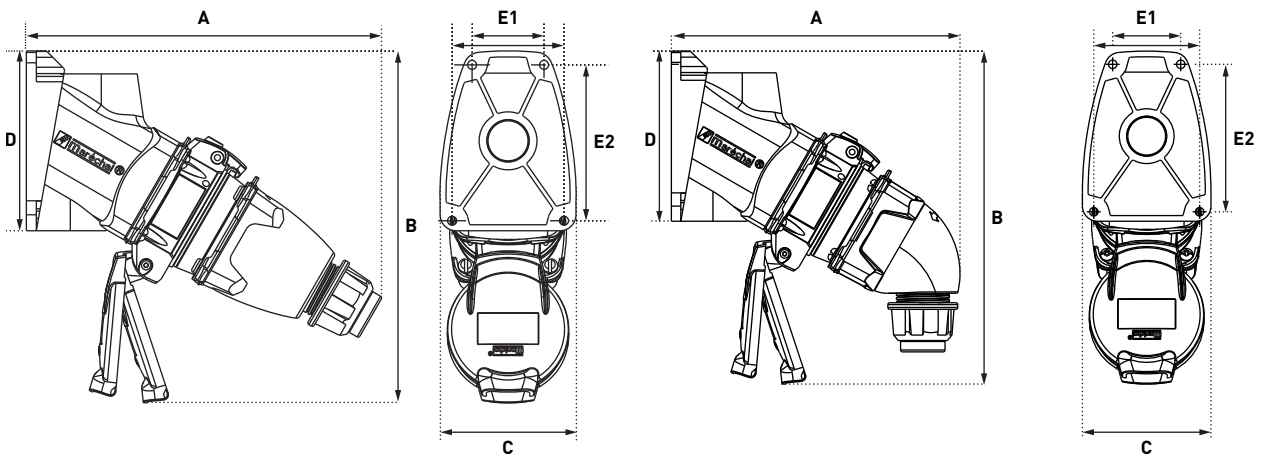
DRAWINGS AND DIMENSIONS

PLUG ON SOCKET-OUTLET



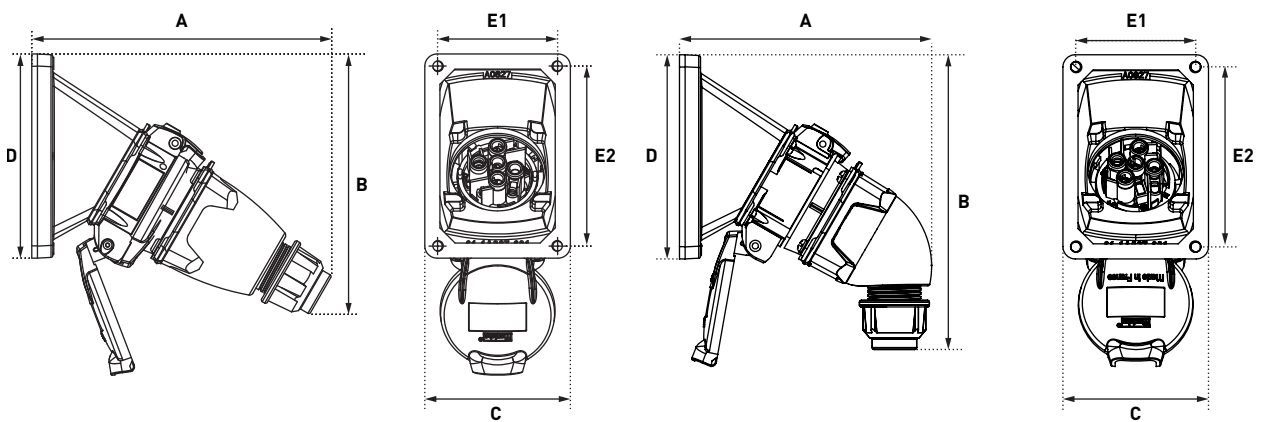
	A	B	C	E
Straight handle	127	140	58	42
Angled handle	117	138	61	42

PLUG ON 30° WALL MOUNTED SOCKET OUTLET



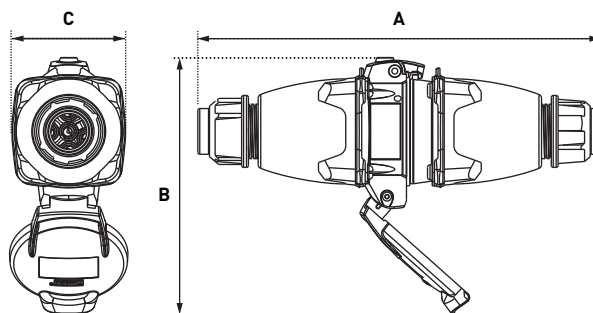
	A	B	C	D	E1	E2
Straight handle	178	176	68	90	36/56	78
Angled handle	153	176	68	90	36/56	78

PLUG ON 30° INCLINED SOCKET-OUTLET



	A	B	C	D	E1	E2
Straight handle	160	170	77	108	64	95
Angled handle	133	165	77	108	64	95

COUPLER



	A	B	C
Straight handle	208	132	58